

## GENERAL PRODUCT INFORMATION

### BASIC DATA

Product code	2156
Shape	Round
Weight	41.8
Plastic handle weight	1.7 g.
Volume	1.180 mL.
Brimful-volume	1.300 mL.

### DIMENSIONS

Size	Ø 133
D1	133.0 mm.
D2	105.9 mm.
D3	121.8 mm.
H1	20.0 mm.
H2	130.0 mm.

### MATERIAL

Raw material	Polypropylene
Temperature	Temperature on request
Color	Color on request

### CLOSURE

<b>Closure system</b>	Tamper evident closure
	Snap-on
	Protective collar

### IML DECORATION

IML	Yes
Offset print	Yes

Note: Please enquire about specific print-layouts

### LID OPTIONS

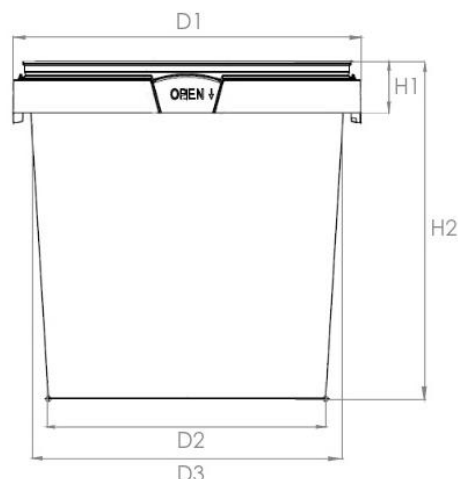
1050
------

Note: Please find the datasheets on our website: [www.toppac.dk](http://www.toppac.dk)

### TOLERANCES

Weight	± 10% ± 4.18 g.
Dimensions	± 1%

## TUB ROUND 2156



### STANDARD PACKAGING

Unit	Tubs/unit	Units/pallet	Qty./pallet
Scantainer	2.805	1	2.805
Box	247	15	3.705

### COMBIPAC – LIDS AND TUBS TOGETHER

Tub/lid	Sets/box	Units/pallet	Qty./pallet
2156/1050	Please enquire for more information.		

### PACKAGING SIZE

Unit	Unit size	Pallet size
Scantainer	1200 x 800 x 1080 mm.	1200 x 800 x 1230 mm.
Box	800 x 400 x 450 mm.	1200 x 800 x 2400 mm.
CombiPac	800 x 400 x 450 mm.	1200 x 800 x 2400 mm.