

## GENERAL PRODUCT INFORMATION

### BASIC DATA

Product code	1000
Shape	Round
Lid type	Standard
Weight	2.5 g.

### DIMENSIONS

Size	Ø 69
D1	66.5 mm.
D2	64.0 mm.
H1	6.2 mm.
H2	6.4 mm.

### MATERIAL

Raw material	Polypropylene
Temperature	Temperature on request
Colour	Colour on request

### CLOSURE

Closure system	Tamper evident closure
	Snap-on
	Protective collar

### IML DECORATION

IML	Yes
Offset print	Yes
D3	56 mm.

Note: Please enquire about specific print-layouts

### TUB OPTIONS

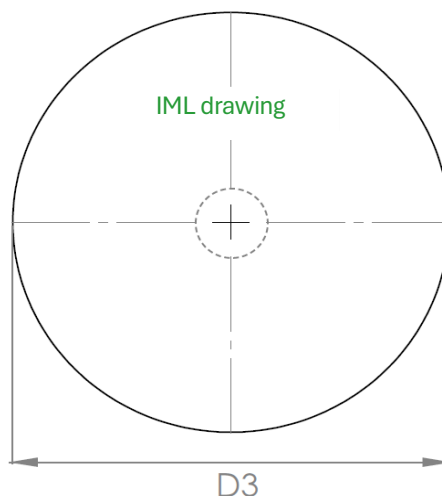
2001
2003
2005
2008

Note: Please find the datasheets on our website: [www.toppac.dk](http://www.toppac.dk)

### TOLERANCES

Weight	± 10% ± 0.25 g.
Dimensions	± 1%

## LID ROUND 1000



### STANDARD PACKAGING

Lids/box	Boxes/pallet	Lids/pallet
5.520	12	66.240

### PACKAGING SIZE

Unit	Size
Box	590 x 400 x 360 mm.
Pallet	1200 x 800 x 1230 mm.