

GENERAL PRODUCT INFORMATION

BASIC DATA

Product code	4018
Shape	Square
Weight	18.0 g.
Volume	520 ml.
Brimful-volume	565 ml.

DIMENSIONS

Size	95 x 95 mm.
D1	95.0 mm.
D2	70.8 mm.
D3	81.8 mm.
H1	12.5 mm.
H2	103.0 mm.

MATERIAL

Raw material	Polypropylene
Temperature	Temperature on request
Color	Color on request

CLOSURE

Closure system	Tamper evident closure
	Snap-on
	Protective collar

IML DECORATION

IML	Yes
Offset print	Yes

Note: Please enquire about specific print-layouts

LID OPTIONS

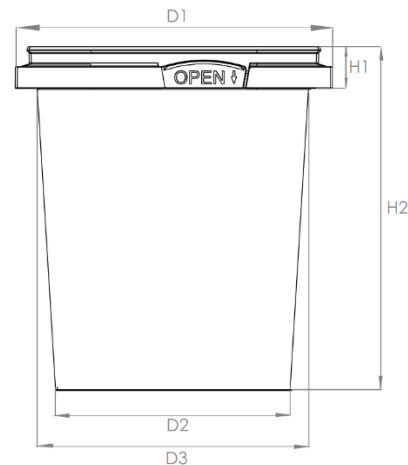
3010

Note: Please find the datasheets on our website: www.toppac.dk

TOLERANCES

Weight	± 10% ± 1.80 g.
Dimensions	± 1%

TUB SQUARE 4018



STANDARD PACKAGING

Unit	Tubs/unit	Units/pallet	Qty./pallet
Scantainer	7.008	1	7.008
Box	832	15	12.480

COMBIPAC – LIDS AND TUBS TOGETHER

Tub/lid	Sets/box	Units/pallet	Qty./pallet
4018/3010	650	15	9.750

Note: Please find further information at www.toppac.dk or via toppac@toppac.dk

PACKAGING SIZE

Unit	Unit size	Pallet size
Scantainer	1200 x 800 x 1080 mm.	1200 x 800 x 1230 mm.
Box	800 x 400 x 450 mm.	1200 x 800 x 2400 mm.
CombiPac	800 x 400 x 450 mm.	1200 x 800 x 2400 mm.