

GENERAL PRODUCT INFORMATION

BASIC DATA

Product code	2026
Shape	Round
Weight	13.5 g.
Volume	375 ml.
Brimful-volume	420 ml.

DIMENSIONS

Size	Ø 97
D1	96.8 mm.
D2	77.9 mm.
D3	87.4 mm.
H1	12.5 mm.
H2	79.5 mm.

MATERIAL

Raw material	Polypropylene
Temperature	Temperature on request
Color	Color on request

CLOSURE

Closure system	Tamper evident closure
	Snap-on
	Protective collar

IML DECORATION

IML	Yes
Offset print	Yes

Note: Please enquire about specific print-layouts

LID OPTIONS

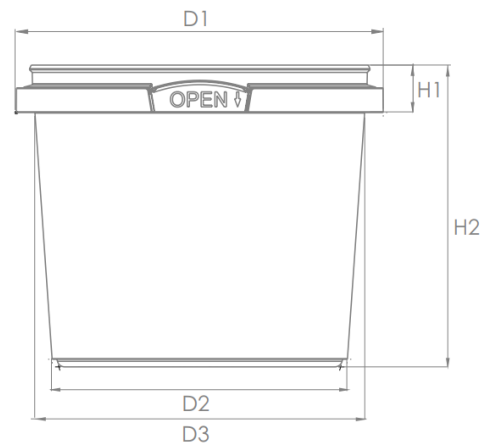
1020
1028
1029

Note: Please find the datasheets on our website: www.toppac.dk

TOLERANCES

Weight	± 10% ± 1.35 g.
Dimensions	± 1%

TUB ROUND 2026



STANDARD PACKAGING

Unit	Tubs/unit	Units/pallet	Qty./pallet
Scantainer	7.104	1	7.104
Box	928	15	13.920

COMBIPAC – LIDS AND TUBS TOGETHER

Tub/lid	Sets/box	Units/pallet	Qty./pallet
2026/1020	696	15	10.440

Note: Please find further information at www.toppac.dk or via toppac@toppac.dk

PACKAGING SIZE

Unit	Unit size	Pallet size
Scantainer	1200 x 800 x 1080 mm.	1200 x 800 x 1230 mm.
Box	800 x 400 x 450 mm.	1200 x 800 x 2400 mm.
CombiPac	800 x 400 x 450 mm.	1200 x 800 x 2400 mm.