

## GENERAL PRODUCT INFORMATION

### BASIC DATA

Product code	2001
Shape	Round
Weight	4.5 g.
Volume	60 ml.
Brimful-volume	75 ml.

### DIMENSIONS

Size	Ø 69
D1	68.8 mm.
D2	60.0 mm.
D3	56.4 mm.
H1	9.0 mm.
H2	30.0 mm.

### MATERIAL

Raw material	Polypropylene
Temperature	Temperature on request
Colour	Colour on request

### CLOSURE

<b>Closure system</b>	Tamper evident closure
	Snap-on
	Protective collar

### IML DECORATION

IML	Yes
Offset print	Yes

Note: Please enquire about specific print-layouts

### LID OPTIONS

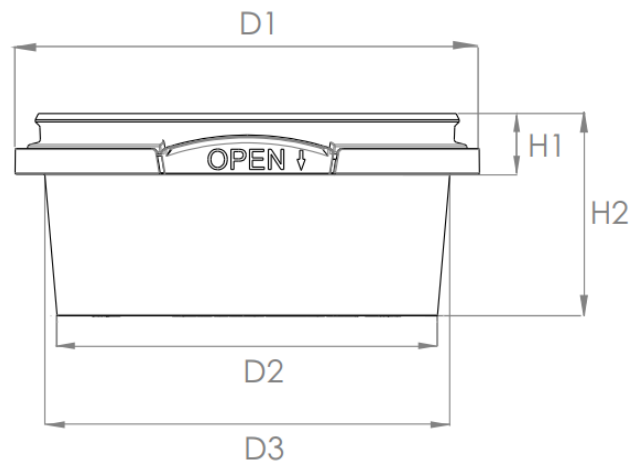
1000
1008
1009

Note: Please find the datasheets on our website: [www.toppac.dk](http://www.toppac.dk)

### TOLERANCES

Weight	± 10% ± 0.45 g.
Dimensions	± 1%

## TUB ROUND 2001



### STANDARD PACKAGING

Unit	Tubs/unit	Units/pallet	Qty./pallet
Box	2.898	15	43.470

### COMBIPAC – LIDS AND TUBS TOGETHER

Tub/lid	Sets/box	Units/pallet	Qty./pallet
2001/1000	1.656	15	24.840

Note: Please find further information at [www.toppac.dk](http://www.toppac.dk) or via [toppac@toppac.dk](mailto:toppac@toppac.dk)

### PACKAGING SIZE

Unit	Unit size	Pallet size
Box	800 x 400 x 450 mm.	1200 x 800 x 2400 mm.
CombiPac	800 x 400 x 450 mm.	1200 x 800 x 2400 mm.